

LEAF FILTER ROTODISC



LEAF FILTER

High capacity output, up to 500 l/s.

Designed to meet the needs of fish farming and industry.

All stainless steel construction, 304L or 316L, for full protection from corrosion.

General specifications:

- ◇ Motor 0.55 kw, 380V 3ph in standard
- ◇ Screen disc diameter 2200mm, 5, 10, 20mm mesh
- ◇ Rotation speed: 4 rpm

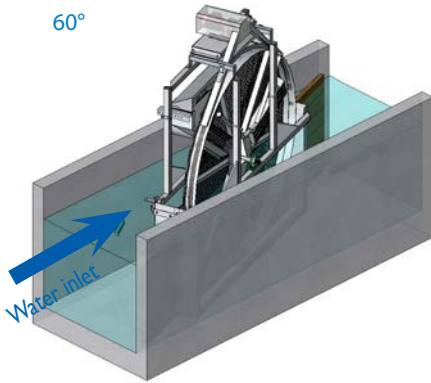
Key benefits:

- ✓ Effectively removes residues and waste carried by the water coming in.
- ✓ May be installed in channels less than a metre wide.
- ✓ Optimised rinsing system to save water.
- ✓ Extremely rugged machine construction.
- ✓ Low maintenance, thanks to the ROTOCLEAN technology that has been proven for over ten years in our drum filters



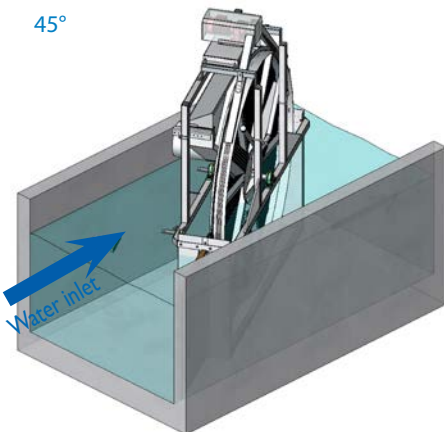
INSTALLATIONS

60°



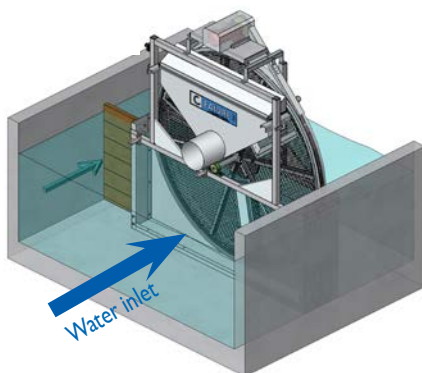
1,3m wide channel

45°



1.8m wide channel

90°



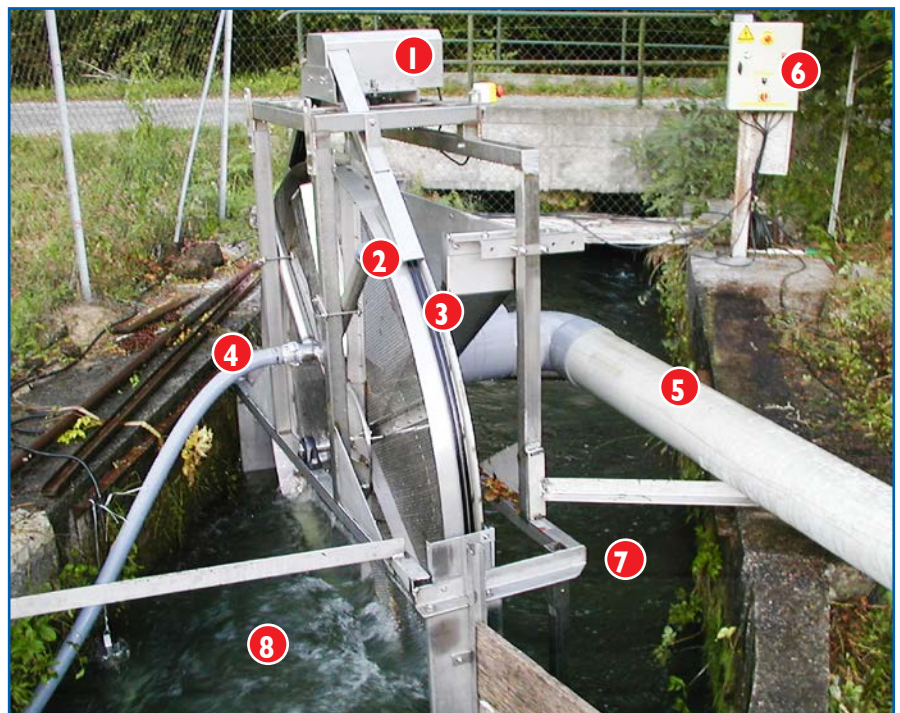
3m wide channel



Ø2200 SCREENS:

View from the water inlet side (above)

View from the water outlet side (above)



GENERAL DESCRIPTION:

- 1. Motor - 2. Rotating disc with stainless steel screen - 3. Drive belts
- 4. Rinsing water inlet - 5. Waste removal - 6. Control cabinet with clock - 7. Charged water inlet - 8. Screen outlet.

Pictures and technical data are not contractual. FAIVRE can bring any modification to its equipment at any time.