

# FAIVRE



## DRUM FILTER serie 120 with HDPE tank

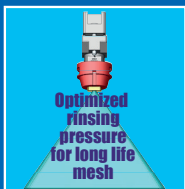
HDPE - SPECIAL  
WARM SEA WATER

HD PE  
HIGH DENSITY  
POLYETHYLEN  
TANK



Maintenance free

### ROTOCLEAN



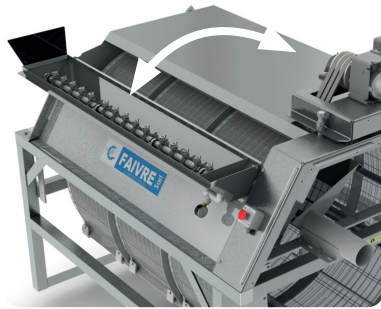
### DRUM FILTER Serie 120 - High Density Polyethylen (HDPE) tank

Flow rate up to 157 l/s (367 m<sup>3</sup>/h) with inlet pipe diameter 400mm.  
It is suitable for closed circuits, inlet and outlet of fish farm.

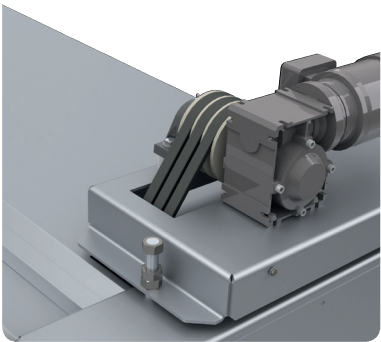
The drum is supplied with 3, 6, 9 or 12 filter plates. It operates at 5 rpm.

#### Strong points :

- ✓ Drum made of AISI 316L or Duplex stainless steel
- ✓ High Density Polyethylen tank
- ✓ Filtration mesh made of stainless steel AISI 316 L or nylon.
- ✓ Designed to be simple, robust and reliable.
- ✓ Free maintenance system (No chain, but a rubber belt).



Reversible cleaning sprinkler unit.



Drum driven by belt, simple, soft and economical.

Table giving maximum water volumes handled (l/s) :

Filter model :		3-120	6-120	9-120	12-120
	Mesh size				
Water with maxi <b>10 mg/l</b> of waste Outlet fish farm	26μ	20	40	60	80
	36μ	35	70	102	130
	63μ	51	105	155	200
	80μ	59	111	180	240
	100μ	70	130	210	280

**Attention DRUM FILTER WITH TANK:**

Flow rate limited to **62 l / s** with inlet and outlet in **315 mm**

Flow rate limited to **79 l / s** with inlet and outlet in **350 mm**

Flow rate limited to **105 l / s** with inlet and outlet in **400 mm**

Flow rate limited to **157 l / s** with inlet and outlet in **500 mm**

Water with maxi <b>25 mg/l</b> of waste Recirculation system.	26μ	18	36	54	72
	36μ	24	48	72	96
	63μ	33	66	99	132
	80μ	42	84	126	168

In case of waste over 25 mg/l , please consult us.

Motor power 3x400v (w)	250	250	250	250
Rinsing (l/s) at 3 bars with 80μ	0,2	0,4	0,6	0,8
Filter surface (m2)	1,29	2,58	3,87	5,16
Number of plates	3	6	9	12

Ø315 in standard/ Ø350-400-500 on request



Pictures and technical data are not contractual. FAIVRE Sasu can bring any modification to its equipment at any time.